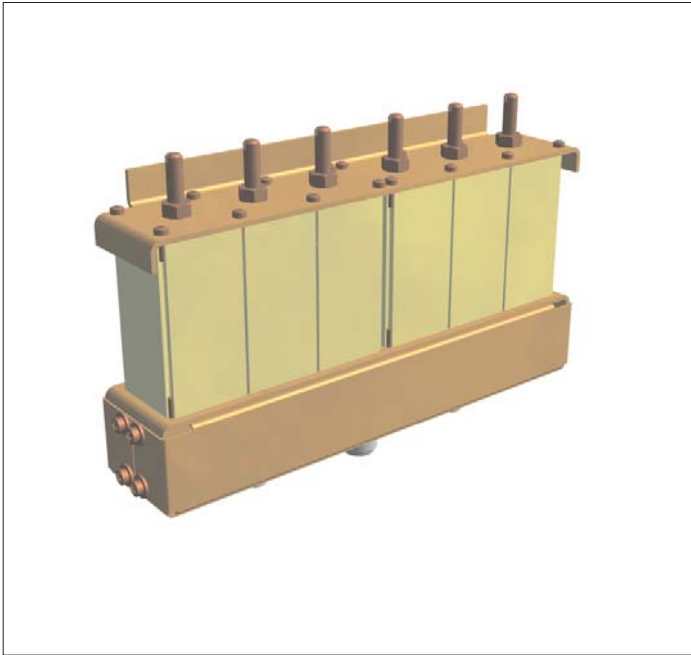




Helical Duplexers

HDF166.Q34



The helical duplexer HDF166.Q34 is a symmetrical duplexer made of six High Q helical resonators in a Band-reject configuration. The duplexer is designed for the operation of the transmitter and receiver together in to one antenna in bands of 140-180 MHz.

Its mechanical construction make the use even in base or in mobile radiostations possible.

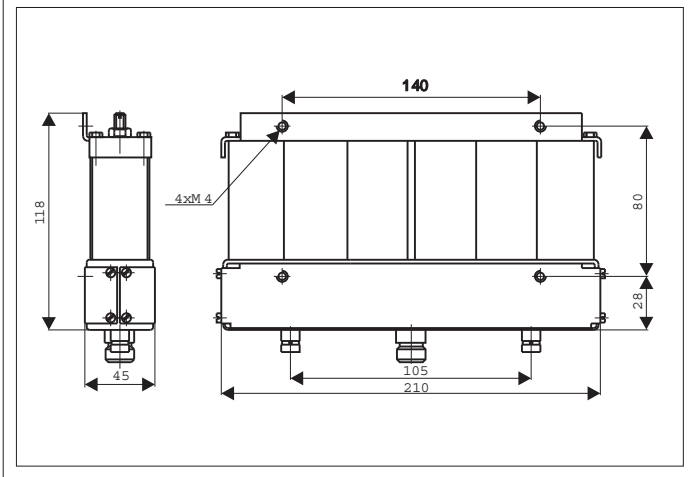
This configuration provides 75 dB of transmitter-to-receiver isolation, and low insertion loss permits power handling up to 50 watts.

When ordering, specify exact frequencies and connector type required (N or BNC).

Order example :

HDF166.Q34 160.15 / 164.65 / 0.5 / BNB
 LOW freq.[MHz] HIGH freq.[MHz] Bandwidth[MHz] Connectors

N....N Type
 B....BNC Type
 T....TNC Type



ELECTRICAL PARAMETERS

Frequency range [MHz]	140-180			
Frequency separation [MHz]	4.0-8.5			
Operated Bandwidth [MHz]	0.5	1.0	1.5	
Max.insertion loss [dB]	1.3	1.5	1.7	
Typ. Insertion loss [dB]	1.1	1.3	1.5	
Isolation LOW-ANT [dB]	85	80	75	
Isolation HIGH-ANT [dB]	85	80	75	
Isolation LOW-HIGH [dB]	85	80	75	
VSWR	<1.3			
Input and Output impedance [Ohm]	50			
Max. Input power [W]	50W (-30 +60°C) / 35 (-30 +70°C)			

MECHANICAL PARAMETERS

Connection	ANT-N female, LOW (HIGH) - BNC female, TNC female, N female
Mouting holes	4xM4
Dimension HxWxL [mm]	45x210x118
Weight [kg]	1.1

